

ORSA 3

Anaesthesia System

Installation Instruction

ORSA 3 INSTALLATION INSTRUCTION

Introduction

This guide describes how to install ORSA 3 anaesthesia system at customer site. The installation must be carried out by trained personnel authorised by Kontron Instruments.

The system is received divided in different packages.

1. ORSA base and accessories;
2. ORSA top;
3. Lung ventilator with accessories.

Moreover, there may be further packages if options and accessories have been required (ORSA rebreathing kit, Scavenging interface, Suction Unit etc..).

The electrical wiring of the trolley is already installed. The only cable to be installed is the 3-way valve connector, included in the lung ventilator standard accessories.

If ABT 5300 is the lung ventilator to be integrated in ORSA, the spirometer and the FIO2 cables must be installed before putting the ventilator inside the trolley structure.

The FIO2 and Spirometer cables for ABT 5300 must be fixed inside a guiding channel in the internal surface of left side panel. A little strip of adhesive tape, already fitted in ORSA, is enough to fix them to the panel. The cables should come out from orsa lateral panel respectively 15 cm, the spirometer cable, and 25/30 cm, the FIO2 probe cable. In this way they can be easily connected to the spirometer body and to the oxygen sensor connector in the ventilator head.

Action	Sketch
TOP	picture 1
Check that ORSA and ABT ventilator mains voltage setting (see identification labels) is compatible with the mains supply voltage.	
Before proceeding to assemble ORSA3, and any other equipment connected to ORSA3, always disconnect the mains cable from the mains supply line	1.20
Remove rear panels	1.1a - 1.1b
Remove the central covering plate pulling it outward	1.2
Place the ORSA top on the ORSA base and centre holes from bottom	1.3
Tighten the 5 Phillips screws (from the ABT recess)	1.4

INSTALLATION INSTRUCTION

Connect the connector of the auxiliary mains sockets box on back left, to the relative cable from ORSA base.	1.8
Secure the ground wire under the screw indicated by "protective earth" symbol inside ORSA top case floor	1.9
Connect the Fresh gas flow black tube to the elbow connector	1.10
Install ABT ventilator, following the steps listed in the following section "Ventilator Installation".	
When an ABT ventilator is installed, connect the following cables as shown:	
Connect the mains cord to the ABT mains socket and the related additional equipotential cable to the ABT equipotential connector.	1.13
If the Ventilator is an ABT 5300 connect the remote switch cable to the ABT remote switch socket (miniature 2w connector not present in ABT 5000/5100)	1.14
Connect the ABT 5100 3 way valve cable (miniature 3w connector).	1.15 - 1.16
If the Ventilator is an ABT 5300, connect the FIO2 Probe cable to the ABT FIO2 socket (not present on ABT 5000/5100) For FIO2 Probe cable installation see "Ventilator Installation".	1.17
If the Ventilator is an ABT 5300, connect the Spirometer cable to the ABT Spiro socket (on ABT5100 it is accessible on lateral side see picture 2, 2.6). For Spirometer cable installation see "Ventilator Installation".	1.18
Reassemble the panels in reverse order	1.1
In case you need to remove the ORSA3 top case, proceed in reverse order after having disconnected the ORSA3 mains cable from the mains supply line	1.20

VENTILATOR INSTALLATION

Reverse the ABT and remove the ventilator feet. Replace those feet with the ones included in the ORSA accessory kit.

If the ventilator is an ABT 5300, check the condition of the remote switch connection according to the procedure described in the following section "ABT 5300 Remote Switch Activation"

Disconnect the ventilator head.

If the ventilator is an ABT 5300, fit Spirometer and FiO2 Probe cables into the devoted guiding channel in the internal surface of the left side of the ventilator recess. To fix them use adhesive tape. Make sure that the positioning enables easy connection to the ventilator on both sides. Spirometer cable should come out from the lateral panel approximatively 15 cm, whereas FiO2 probe cable should come out approximately 25/30 cm.

To insert the ABT into ORSA3 recess, push the ventilator deep inside the recess itself, sliding its right side closed to the right panel of the recess.

When the ventilator has reached the back side of the recess, move it to the left, so that it completely contacts the wall of the left panel. The hooks of the ventilator head will come out from the left lateral window.

Connect the ventilator head to the ventilator and connect the cables as previously described (see picture 1, 1.13 - 1.18).

Insert the correct fitting block in the empty space between the ventilator case and the right panel of the recess. If the installed ventilator is an ABT 5000/5100 use the thickest block. If the ventilator is an ABT 5300, use the other one.

Fasten the fitting block to ORSA3 with the small screw at the bottom of the block.

picture 2

Picture 3
3.1

2.1

2.2

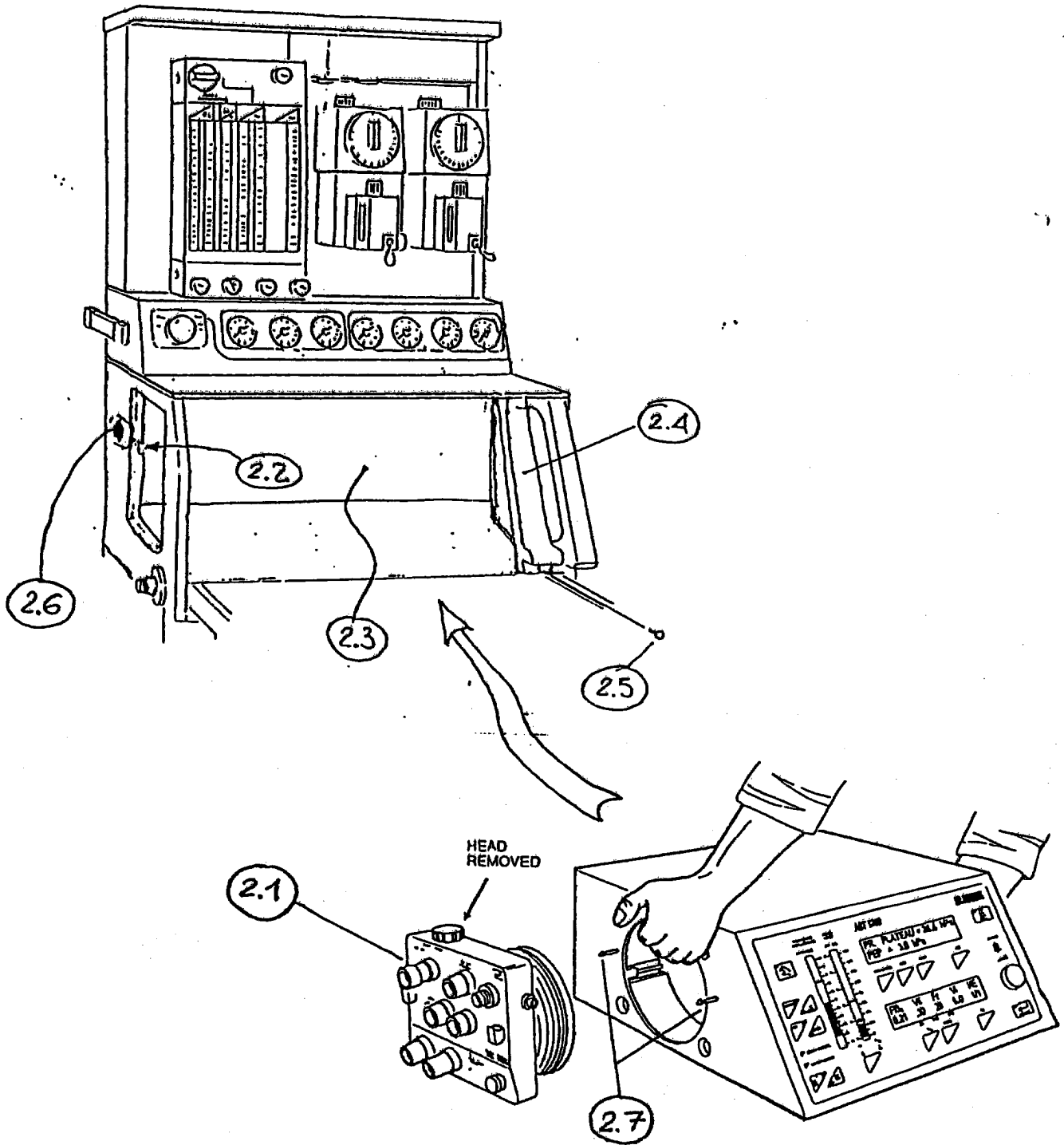
2.3

2.7

2.4

2.5

Picture 2



ABT 5300 REMOTE SWITCH ACTIVATION

picture 3, 4, 5, 6

Check if ABT 5300 remote switch on the rear panel is plugged with its connector (bridge connection to the Power Failure battery). If yes, remove the connector before inserting it in ORSA.

4.1

ATTENTION !

Once the plugging connector is removed, the ABT 5300 can only be used in connection with ORSA trolley by connecting the remote switch cable as described in the first section of this booklet. This cable must always be connected and the power failure alarm must be checked as described in ORSA Operating Manual.

To use the ABT 5300 out of ORSA system, plug again the connector into the remote switch socket.

If your ABT 5300 is not provided with the plugging connector, open it by removing the 2 screws that fasten the front part of the cover, below the device, and the 5 screws in the rear panel.

3.2 - 4.2

Shift up the cove and position it on the right side as shown.

5.1

Unscrew the Power/Interface board, disconnect it from the CPU board and tilt it backwards.

5.2 - 5.3 - 5.4

Check the remote switch socket. The wire bridge between the two contacts of the remote switch socket must be removed

6.1

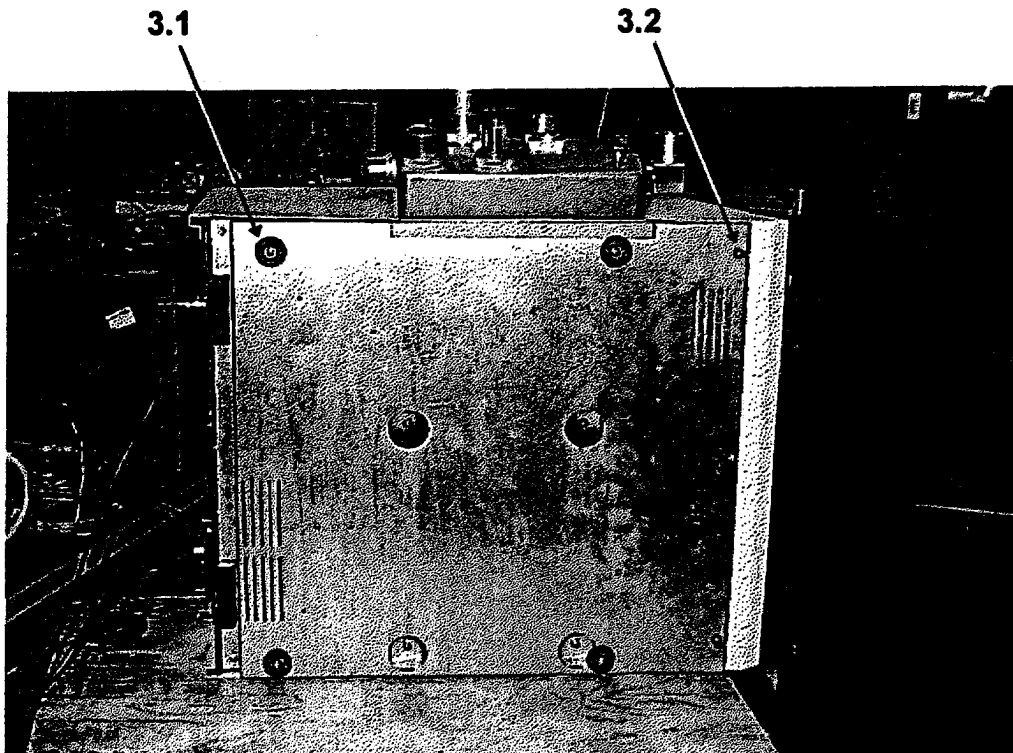
ATTENTION !

Once the wire bridge is opened, the ABT 5300 can only be used in connection with ORSA trolley by connecting the remote switch cable as described in the first section of this booklet. This cable must always be connected and the power failure alarm must be checked as described in ORSA Operating Manual.

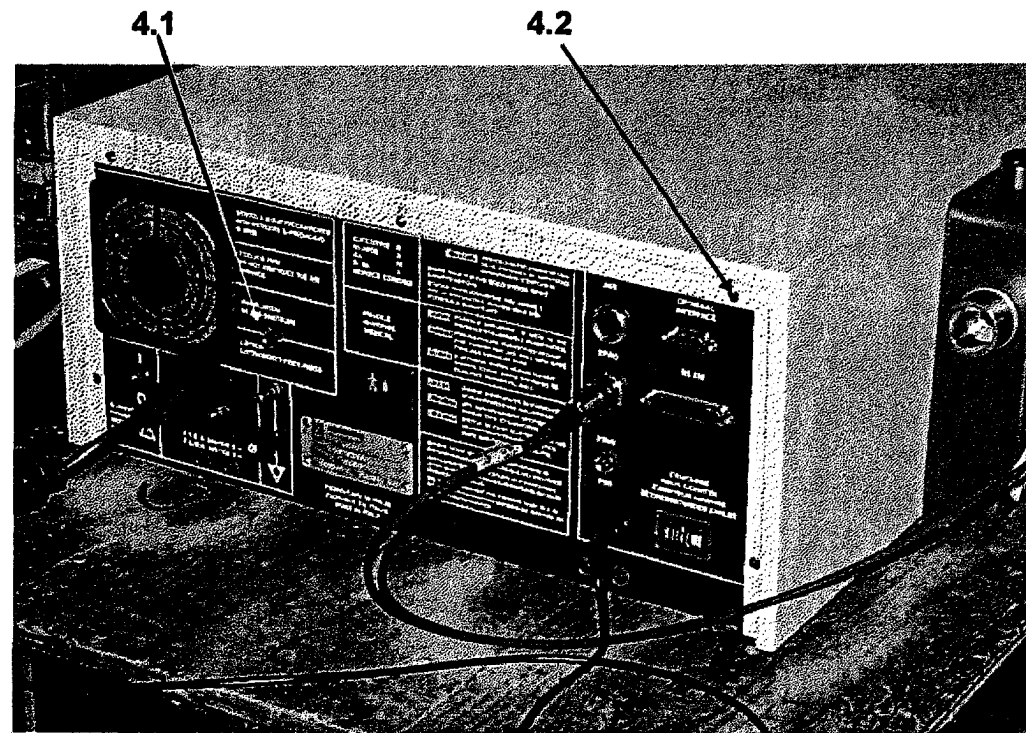
To use the ABT 5300 out of ORSA system, reactivate the connection between the two contacts of the remote switch socket.

Reassemble the ventilator in the reverse order

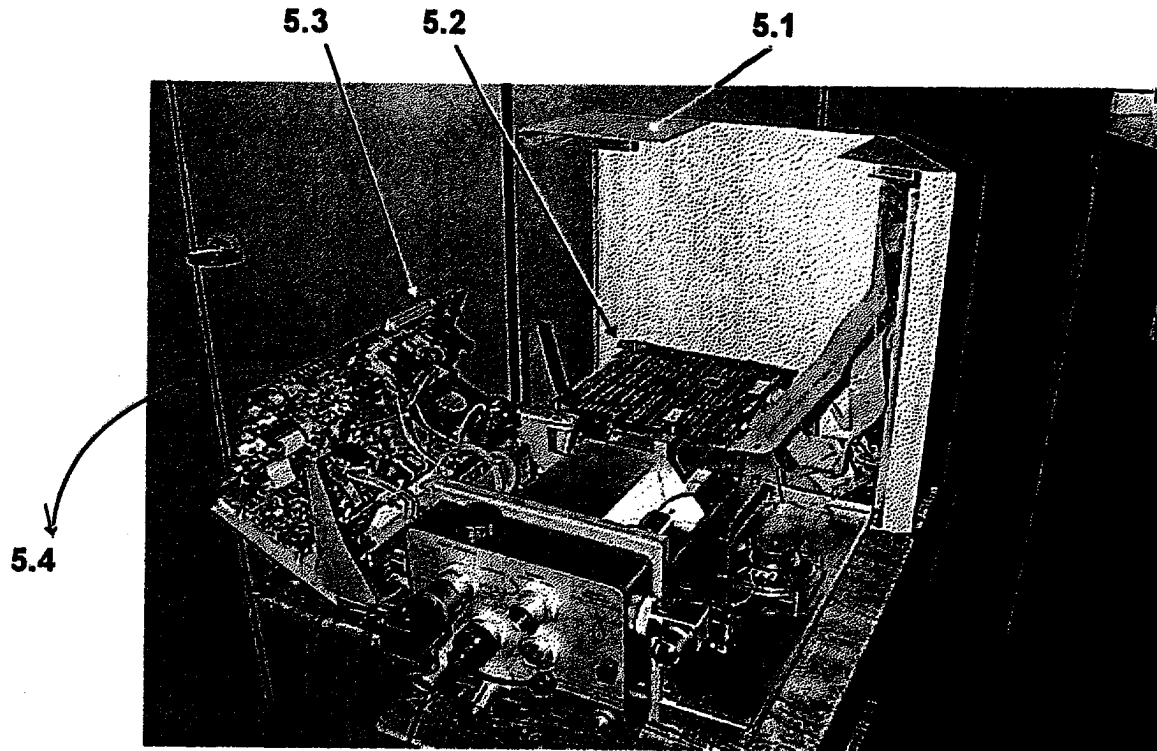
Picture 3



Picture 4



Picture 5



Picture 6

